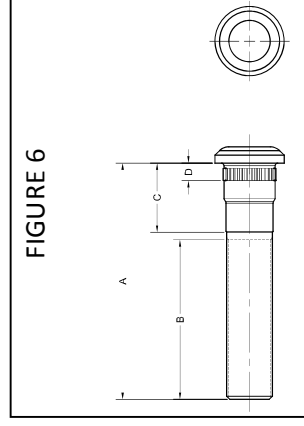
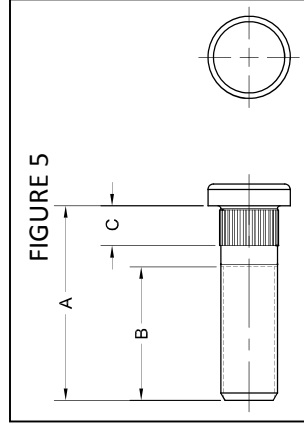
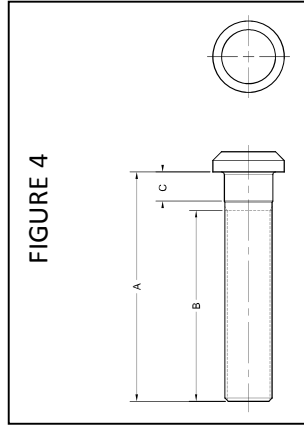
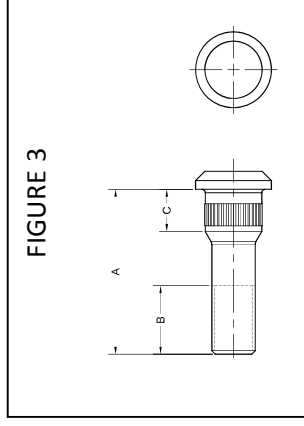
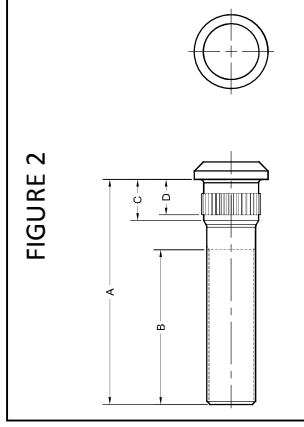
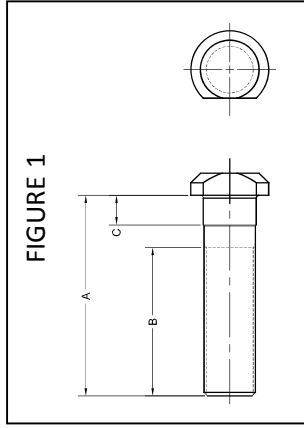


Walther EMC Wheel Bolts and Hardware



Part Number	Description	For Hub Part No.	Figure	Dim A	Dim B	Dim C	Dim D
02-00010	Clipped Head, M22 x 1.5mm x 3.38 RH, Steel, Non-Serrated	011, 039	1	3.38	2.50	0.50	-
02-00014	Clipped Head, M22 x 1.5mm x 4.17 RH, Alum, Non-Serrated	011, 039	1	4.17	3.29	0.50	-
02-00027	Clipped Head, M22 x 1.5mm x 2.33 RH, Ball Seat, Cast Drum	112, 114	1	2.33	1.38	0.62	-
02-00031	Clipped Head, M22 x 1.5mm x 2.07 RH, Ball Seat, Centrifuse Drum	112, 114	1	2.07	1.12	0.62	-
02-00044	Round Head, M22 x 1.5mm x 4.00 RH, Steel, Serrated	042, 052, 048, 106, 161	2	4.00	2.75	0.88	0.69
02-00045	Round Head, M22 x 1.5mm x 4.93 RH, Alum, Serrated	042, 052, 048, 106, 161	2	4.93	3.68	0.88	0.69
02-00051	Round Head, M22 x 1.5mm x 2.90 RH, Steel, Serrated	023, 073, 093	2	2.90	1.65	0.88	0.69
02-00089	Round Head, M22 x 1.5mm X 4.58 RH, Alum, Serrated, Rear	167	2	4.58	3.70	0.88	0.69
02-00090	Round Head, M22 x 1.5mm x 3.59 RH, Alum, Serrated	167	2	3.59	2.34	0.88	0.69
02-00185	Round Head, M22 x 1.5mm x 2.59 RH, Serrated	164	2	2.59	1.69	0.88	0.69
02-00186	Round Head, M22 x 1.5mm x 3.39 RH, Alum, Serrated, Front	164	2	3.39	2.50	0.88	0.69
02-00057	Round Head, M22 x 1.5mm x 2.85 RH, FB Stud-Pilot, Serrated, Cast Drum	042, 106, 161	3	2.85	1.18	0.69	-
02-00061	Round Head, 3/4"-16 RH, Stud Pilot, Serrated	042, 106, 161	3	2.60	1.18	0.69	-
20-00058	Round Head, 3/4"-16 LH, Stud Pilot, Serrated, Cast Drum	042, 106, 161	3	2.85	1.18	0.69	-
20-00062	Round Head, 3/4"-16 LH, Stud Pilot, Serrated, Centrifuse Drum	042, 106, 161	3	2.60	1.18	0.69	-
02-00110	Round Head, M22 x 1.5mm x 3.46, Steel, Non-Serrated	107, 112, 114	4	3.46	2.76	0.54	-
02-00118	Round Head, M22 X 1.5mm x 4.21, Alum, Non-Serrated	112, 114	4	4.21	3.51	0.54	-
02-00059	Round Head, 5/8"-18 RH, Serrated	067	5	2.13	1.44	0.64	-
02-00175	Round Head, M22 x 1.5mm x 4.47, Alum, Serrated	187, 193	6	4.47	3.02	1.29	0.68
02-00195	Round Head, M22 x 1.5mm x 3.71, Steel, Serrated	187, 193	6	3.71	2.26	1.29	0.68