

SKYLIGHT ASSEMBLY TRAILER PACK

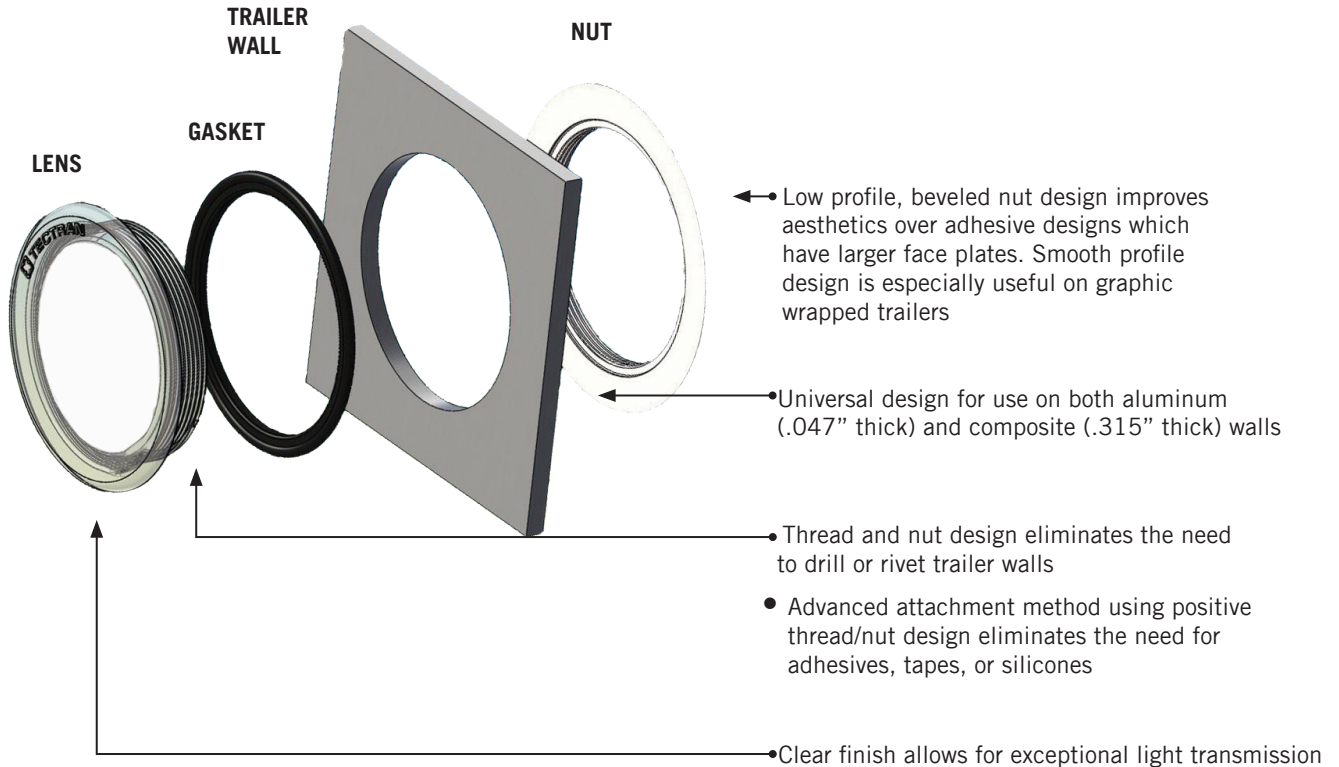
Save time and money with the Tectran Skylight Trailer Pack. The Trailer Pack comes complete with twelve Skylight assemblies and a *FREE* installation tool for full trailer jobs.



Part No. 4001Q12TS
Stk Code 56053

KIT CONTENTS

- (12) Skylight Assemblies
- (1) **FREE** Installation Tool



TOOL



SKYLIGHT TOOL

- New compact design, specifically designed to be used with Tectran's Skylight only
- Stamped steel body with powder-coating
- Designed to fit common 3/8" drive ratchet

Part No.	Stk Code	Description
4001Q12TS	56053	Skylight Trailer Pack (12) - Includes free tool
4001-1	49745	Skylight Assembly
4005-2	56049	Skylight Installation Tool

SKYLIGHT ASSEMBLY TRAILER PACK

Part No. 4001-1 Stk. Code 49745 | Installation Instructions

- 1.** Install the gasket on the threaded side of the skylight lens.

TIP: Lens and gasket assembly will mount against the outside of the trailer wall

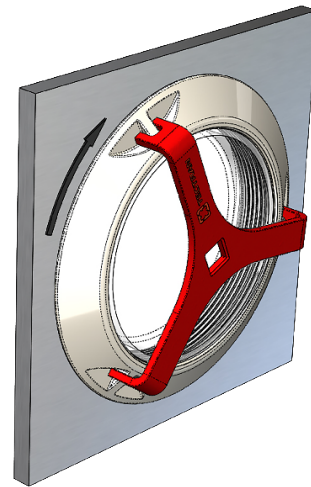
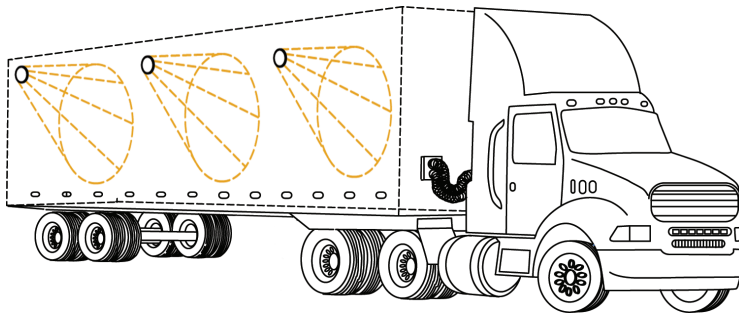


- 2.** Drill a 4" diameter hole and remove burrs. Clean and dry trailer wall area around the opening and install the lens and gasket assembly as shown.



CAUTION:
Do not apply any adhesives, tape, silicone, or sealants as these may damage the lens.

- 3.** Using the Skylight Tool (Part No. 4005-2) and a 3/8" drive torque wrench apply 18-20 ft/lbs of torque to secure assembly to trailer wall and ensure a leak free installation.



TECTRAN - USA
2345 Walden Ave., Suite 100
Cheektowaga, NY 14225

Ph: 800.776.5549
Fx: 716.894.9623
E: orders@tectran.com

TECTRAN - CANADA
2400 Anson Drive
Mississauga, ON L5S 1G2

Ph: 905.678.7700
Fx: 905.678.6210
E: customerservice@tectran.com

www.tectran.com

Stock # PB20181108
©2018 Tectran
All Rights Reserved.