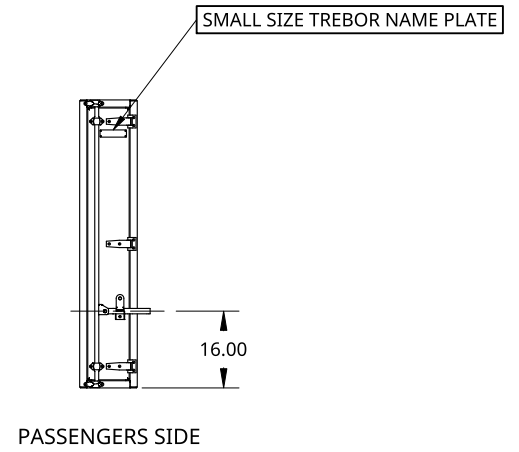
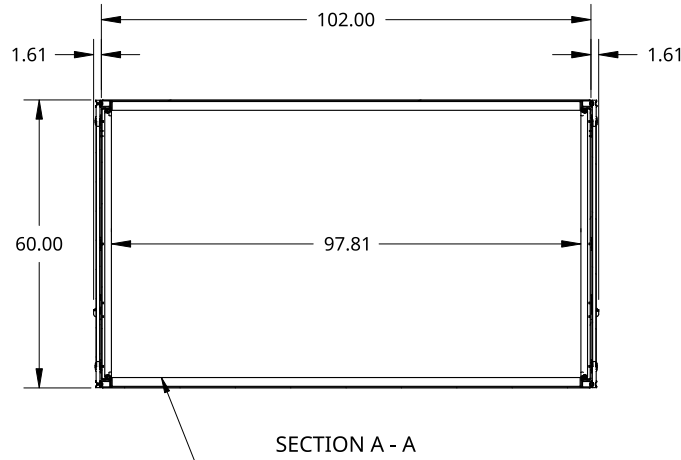
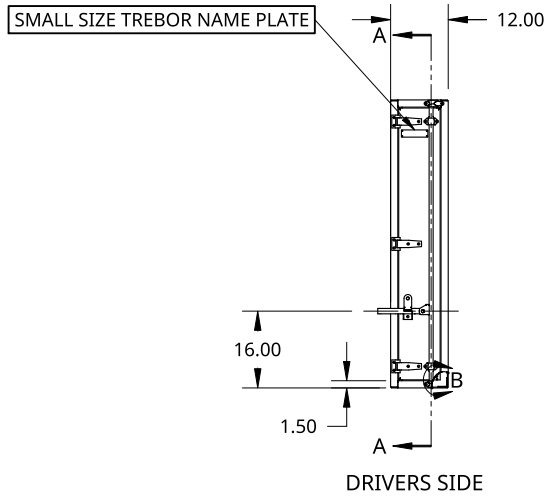
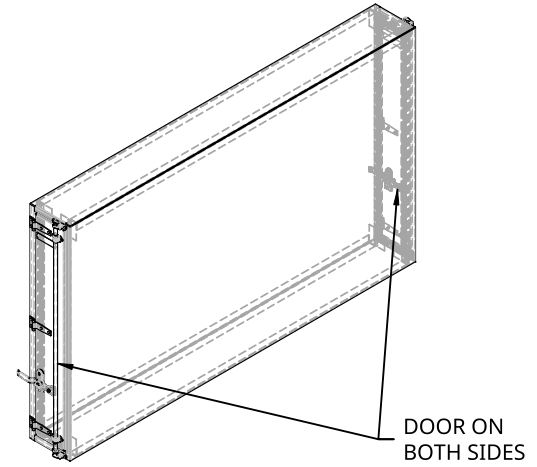
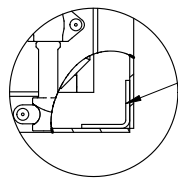


2

1



ALL INNER CORNERS



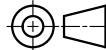
DETAIL B
SCALE 1:8

THIS DOCUMENT IS THE PROPERTY OF TREBOR MANUFACTURING. ANY UNAUTHORIZED REPRODUCTION WILL BE PROSECUTED TO THE FULL EXTENT OF THE LAW

UNLESS OTHERWISE SPECIFIED, DIMENSIONS ARE IN INCHES

.XX = ±.1- ANGULAR = ±1°
.XXX = ±.015- FRACTIONAL = ±1/8
.XXXX = ±.005-

THIRD ANGLE PROJECTION



DRAWN SHAWN CROCKER 08/21/2021

MATERIAL
1/8 ALU CHECKER

PART NO.		TR1260102PP		REV.	A
STRAIGHT CROSS FRAME TOOL BOX - 12 X 60 X 102 - COMPRESSION CAM LOCK					
SIZE	A		DWG NO.	D10286	
SCALE	1:40	WEIGHT	267.86 LB	SHEET	1 of 1

2

1

B

B

A

A