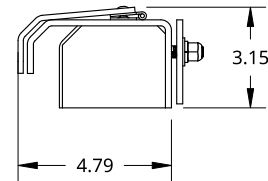
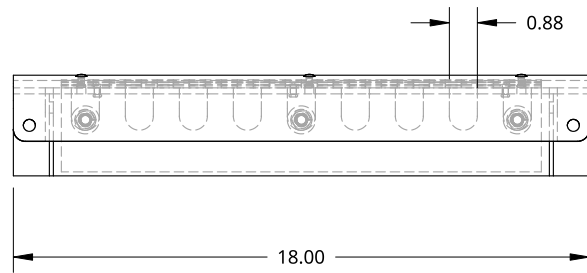
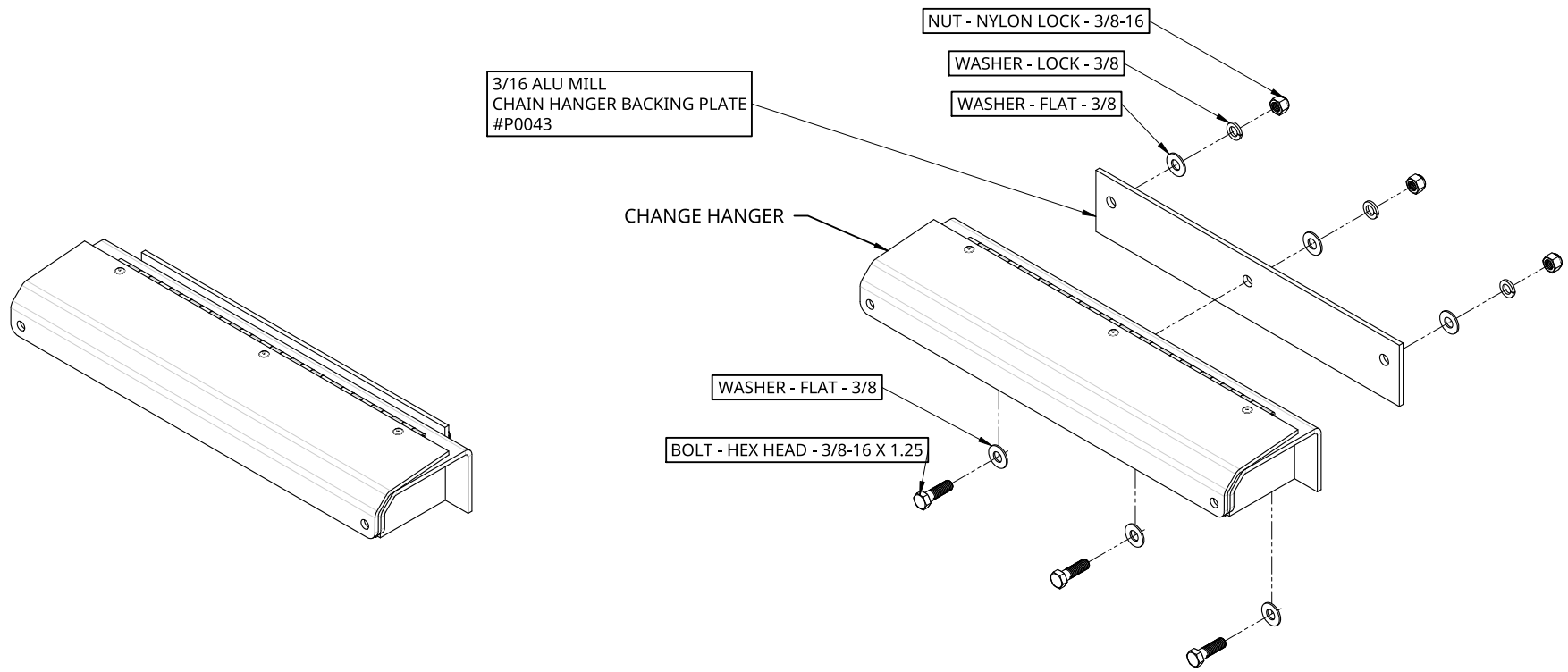


2

1

B

B





A

A

2

1

<small>THIS DOCUMENT IS THE PROPERTY OF TREBOR MANUFACTURING. ANY UNAUTHORIZED REPRODUCTION WILL BE PROSECUTED TO THE FULL EXTENT OF THE LAW</small>				PART NO. TR147W	REV. F
UNLESS OTHERWISE SPECIFIED, DIMENSIONS ARE IN INCHES .XX = ±.1- .XXX = ±.015- .XXXX = ±.005-		ANGULAR = ±1° FRACTIONAL = ±1/8		CAB SHIELD CHAIN HANGER W/LID AND 9 HOLES FOR 3/8IN CHAIN - 18IN WIDE	
THIRD ANGLE PROJECTION 		MATERIAL ALUMINUM		SIZE A	DWG. NO. D0657
		SCALE 1:6	WEIGHT 5.39 LB	SHEET 1 of 1	REV. D