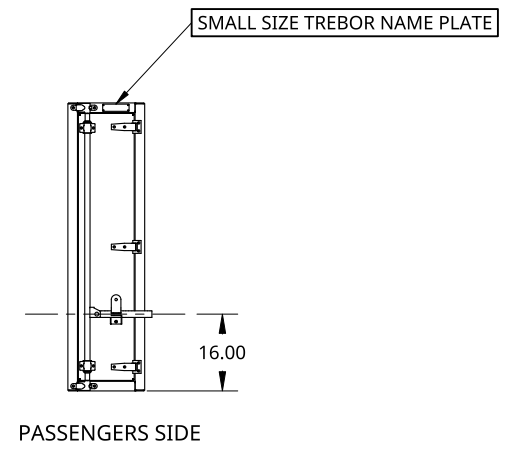
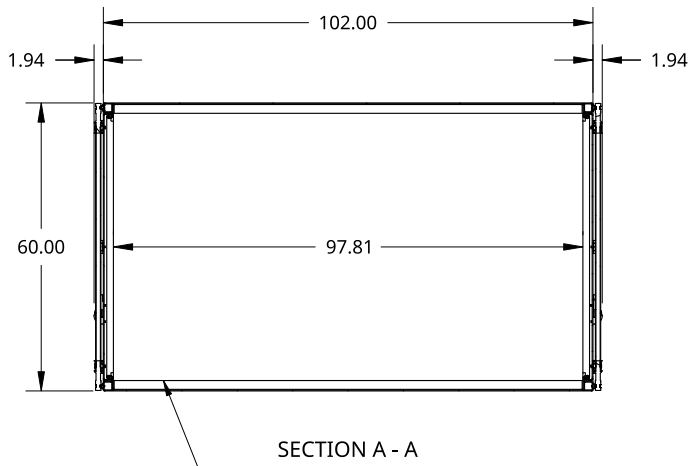
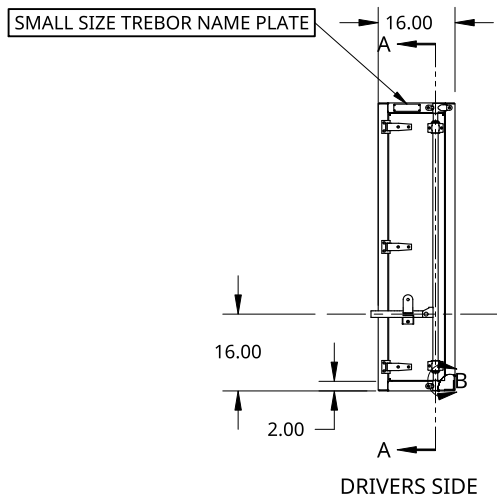
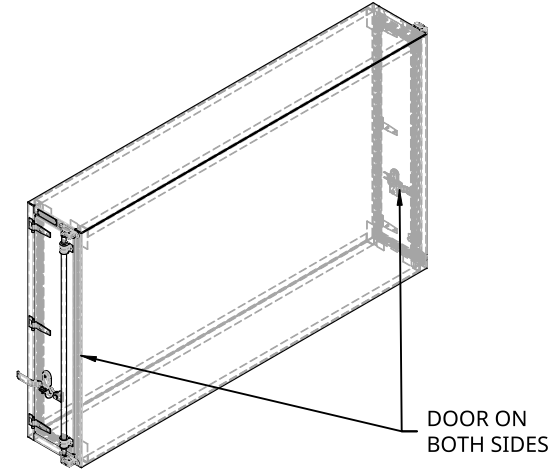


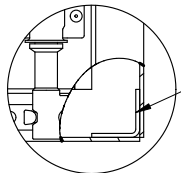
2

1

B



ALL INNER CORNERS

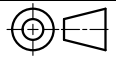


DETAIL B
SCALE 1:8

THIS DOCUMENT IS THE PROPERTY OF TREBOR MANUFACTURING. ANY UNAUTHORIZED REPRODUCTION WILL BE PROSECUTED TO THE FULL EXTENT OF THE LAW

UNLESS OTHERWISE SPECIFIED, DIMENSIONS ARE IN INCHES
 .XX = ±.1-
 .XXX = ±.015-
 .XXXX = ±.005-
 ANGULAR = ±1°
 FRACTIONAL = ±1/8

THIRD ANGLE PROJECTION



DRAWN SHAWN CROCKER 08/21/2021

MATERIAL
1/8 ALU CHECKER

PART NO. TR1660102PP

REV. A

STRAIGHT CROSS FRAME TOOL BOX - 16 X 60 X 102 - COMPRESSION CAM LOCK

SIZE A DWG. NO. D10287

REV. A

SCALE 1:40 WEIGHT 300.43 LB SHEET 1 of 1

2

1

A