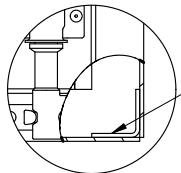
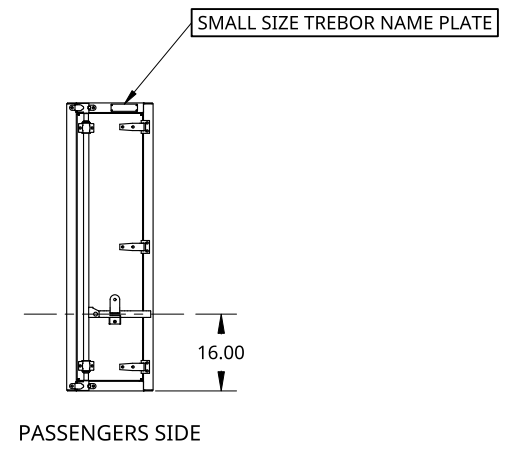
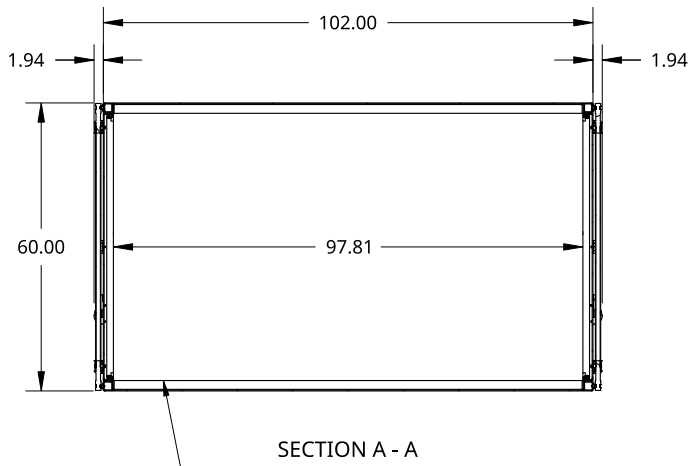
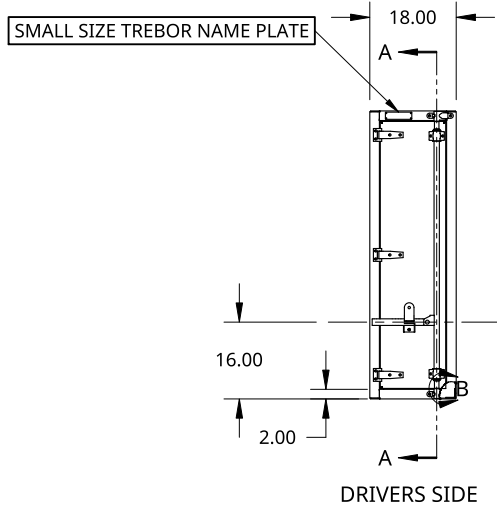
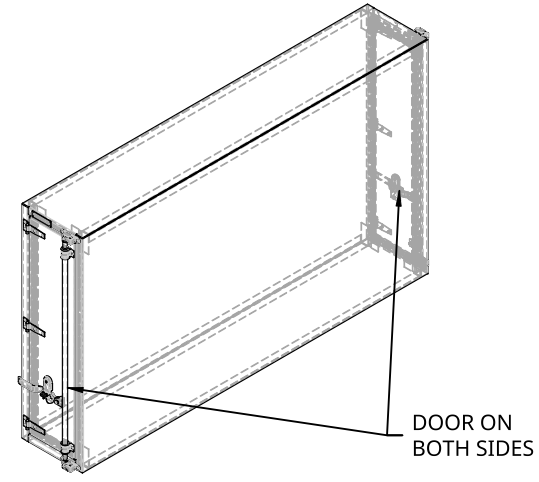


2

1

B

B



DETAIL B
SCALE 1:8

FULL WIDTH CORNER ANGLE
ALL INNER CORNERS

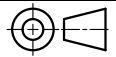
A

A

THIS DOCUMENT IS THE PROPERTY OF TREBOR MANUFACTURING. ANY UNAUTHORIZED REPRODUCTION WILL BE PROSECUTED TO THE FULL EXTENT OF THE LAW

UNLESS OTHERWISE SPECIFIED, DIMENSIONS ARE IN INCHES
.XX = ±.1-
.XXX = ±.015-
.XXXX = ±.005-
ANGULAR = ±1°
FRACTIONAL = ±1/8

THIRD ANGLE PROJECTION



DRAWN SHAWN CROCKER 08/21/2021

MATERIAL
1/8 ALU CHECKER

PART NO. TR1860102PP REV. A

STRAIGHT CROSS FRAME TOOL BOX - 18 X 60 X 102 - COMPRESSION CAM LOCK

SIZE A DWG NO. D10288 REV. A

SCALE 1:40 WEIGHT 309.53 LB SHEET 1 of 1

2

1