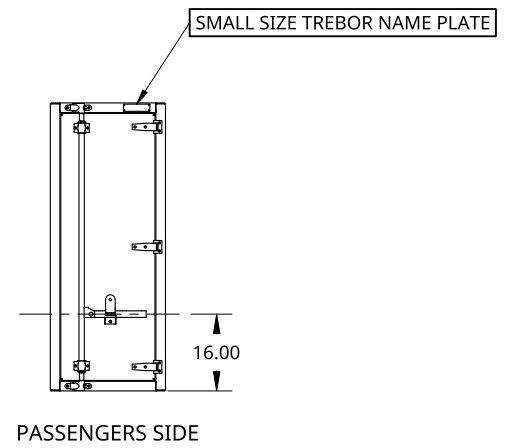
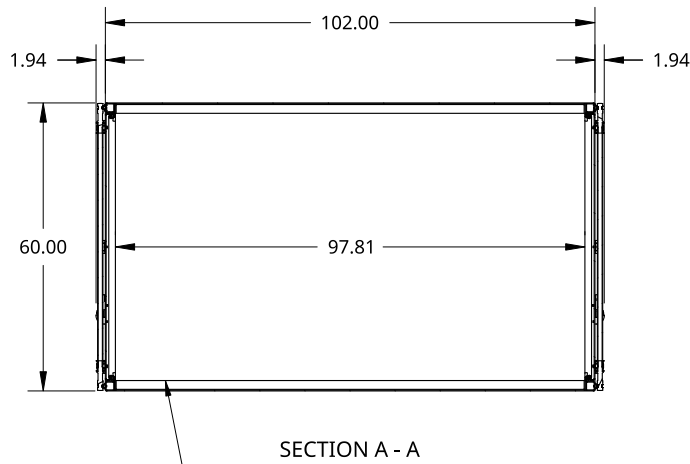
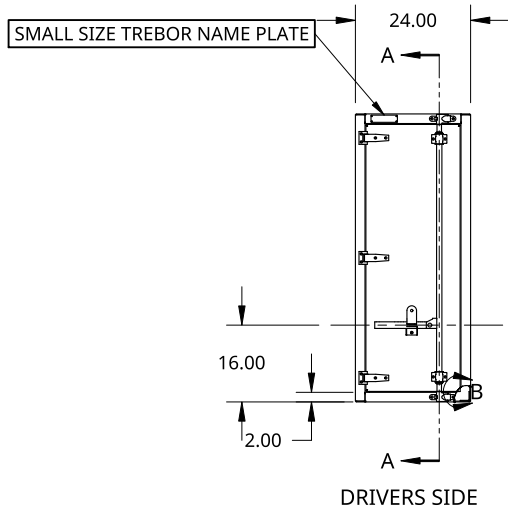
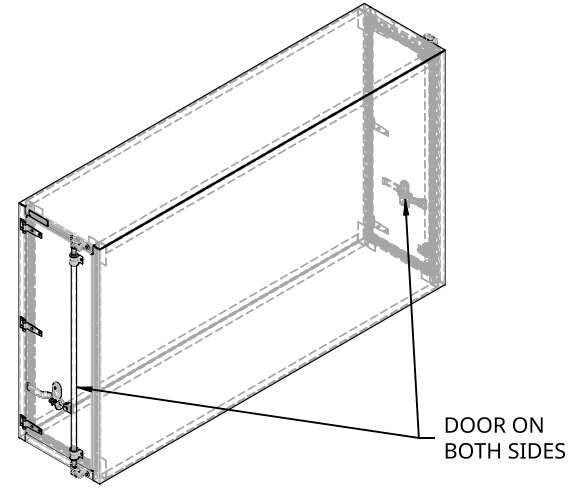


2

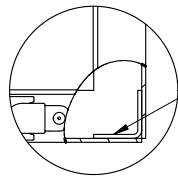
1

B

B



FULL WIDTH CORNER ANGLE  
ALL INNER CORNERS



A

A

|   |  |                                    |  |  |                          |
|---|--|------------------------------------|--|--|--------------------------|
| <small>THIS DOCUMENT IS THE PROPERTY OF TREBOR MANUFACTURING. ANY UNAUTHORIZED REPRODUCTION WILL BE PROSECUTED TO THE FULL EXTENT OF THE LAW</small>            |  |                                    |  | PART NO.<br><b>TR2460102PP</b>                                       | REV.<br><b>A1</b>        |
| <small>UNLESS OTHERWISE SPECIFIED, DIMENSIONS ARE IN INCHES<br/>.XX = ±.1-<br/>.XXX = ±.015-<br/>.XXXX = ±.005-<br/>ANGULAR = ±1°<br/>FRACTIONAL = ±1/8</small> |  | DRAWN<br>SHAWN CROCKER             |  | STRAIGHT CROSS FRAME TOOL BOX - 24 X 60 X 102 - COMPRESSION CAM LOCK |                          |
| THIRD ANGLE PROJECTION<br>  |  | MATERIAL<br><b>1/8 ALU CHECKER</b> |  | SIZE<br><b>A</b>   | DWG NO.<br><b>D10289</b> |
|   |  | SCALE<br><b>1:40</b>               |  | WEIGHT<br><b>336.79 LB</b>   | SHEET<br><b>1 of 1</b>   |

2

1