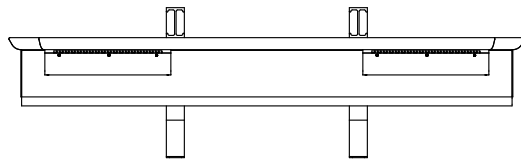


2

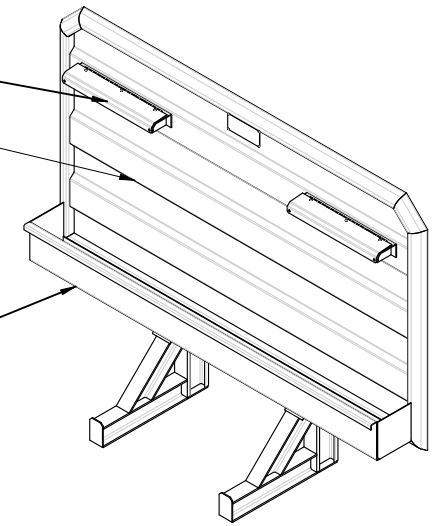
1



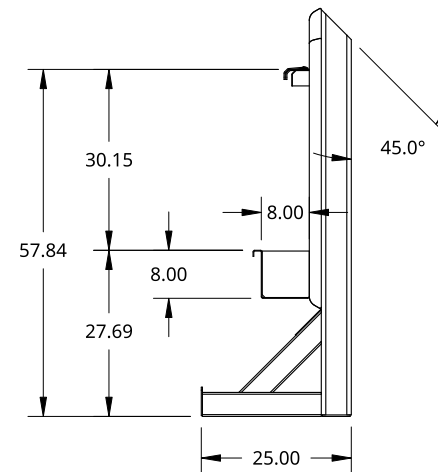
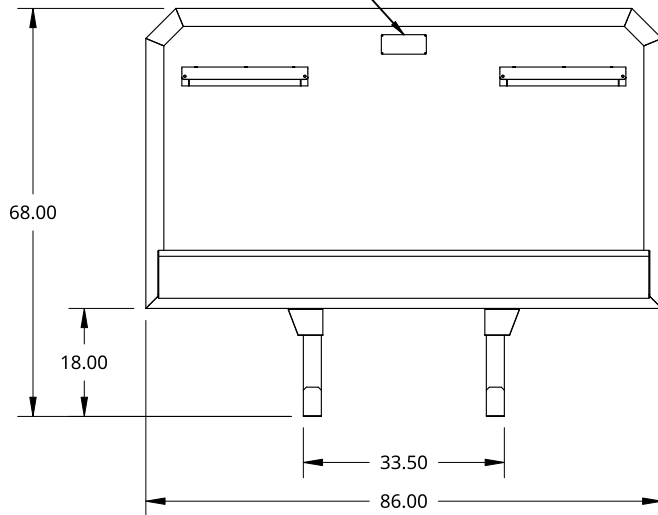
CHAIN HANGERS WITH 12 HANGERS EACH

1/8 ALU CHECKER PANEL

FULL CHAIN BUCKET



TREBOR NAME PLATE APPROX. LOCATION



B

B

A

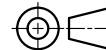
A

THIS DOCUMENT IS THE PROPERTY OF TREBOR MANUFACTURING. ANY UNAUTHORIZED REPRODUCTION WILL BE PROSECUTED TO THE FULL EXTENT OF THE LAW

UNLESS OTHERWISE SPECIFIED, DIMENSIONS ARE IN INCHES

.XX = ±.1- ANGULAR = ±1°
.XXX = ±.015- FRACTIONAL = ±1/8
.XXXX = ±.005-

THIRD ANGLE PROJECTION



DRAWN SHAWN CROCKER 08/24/2021

MATERIAL ALUMINUM

PART NO. TR6886-PLUS REV. B

STANDARD CAB SHIELD - 68 X 86 - 1/8 ALU CHECKER PANEL - CHAIN HANGER AND BUCKET

SIZE A DWG. NO. D12323 REV. A1

SCALE 1:32 WEIGHT 176.89 LB SHEET 1 of 1

2

1