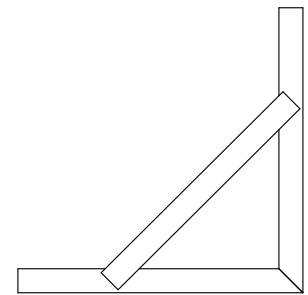
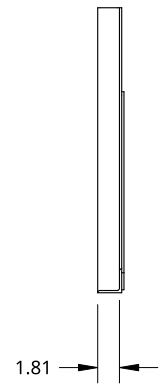
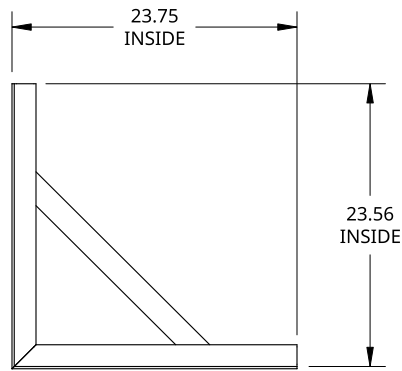
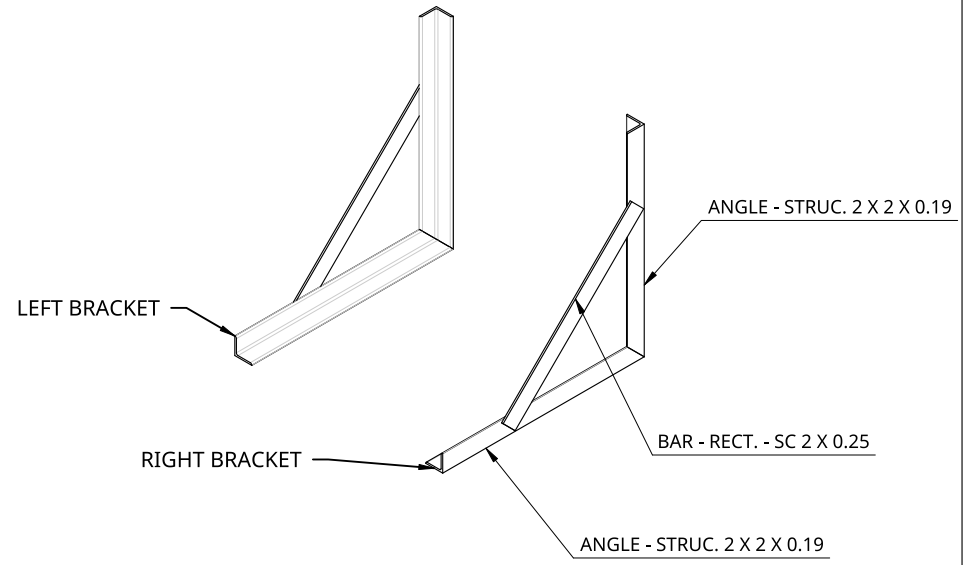


2

1



B

B



A

A

<small>THIS DOCUMENT IS THE PROPERTY OF TREBOR MANUFACTURING. ANY UNAUTHORIZED REPRODUCTION WILL BE PROSECUTED TO THE FULL EXTENT OF THE LAW</small>				PART NO. TRBST2424	REV. B2		
<small>UNLESS OTHERWISE SPECIFIED, DIMENSIONS ARE IN INCHES .XX = ±.1- .XXX = ±.015- .XXXX = ±.005- ANGULAR = ±1° FRACTIONAL = ±1/8</small>		DRAWN	SHAWN CROCKER	08/27/2021	UNDER BODY TOOL BOX BRACKET KIT - 24IN DEEP X 24IN HIGH		
THIRD ANGLE PROJECTION 		MATERIAL STEEL BLACK POWDER COAT			SIZE A	DWG NO. D4807	REV. A1
		SCALE 1:16	WEIGHT 23.26 LB	SHEET 1 of 1			

2

1