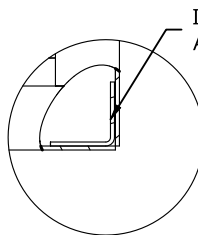
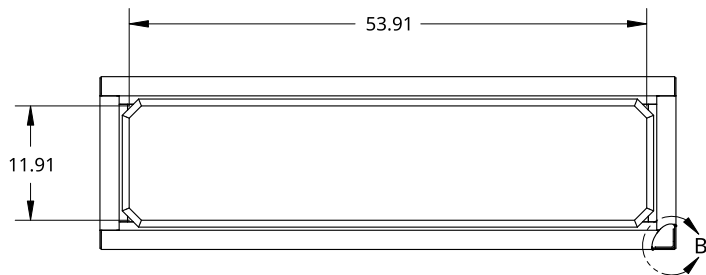


2

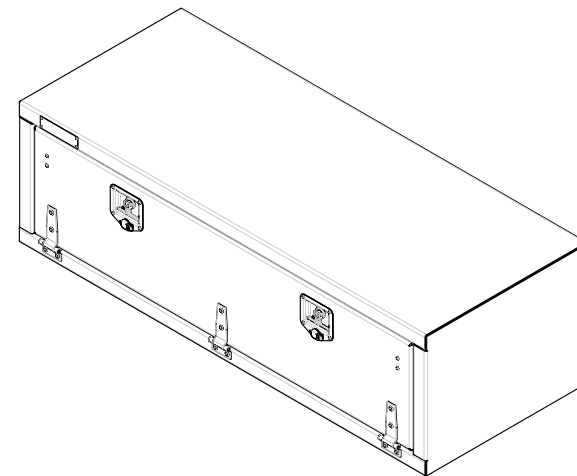
1

B



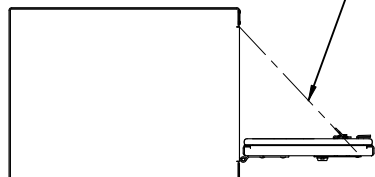
INNER REINFORCEMENT  
ANGLE BOTH SIDES

DETAIL B  
SCALE 1:6

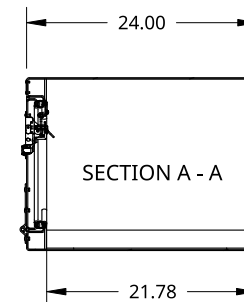
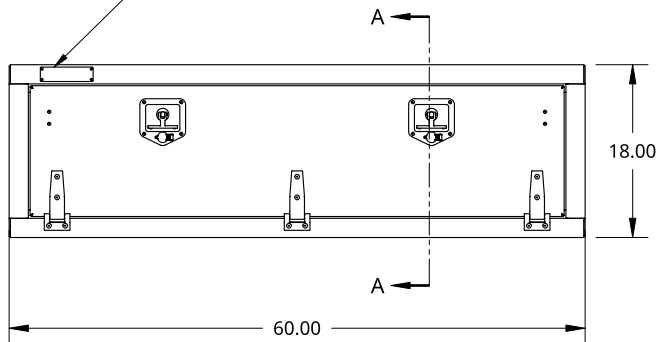


B

X2 DOOR CHAIN TO HOLD  
DOOR AT 90 DEG.



SMALL SIZE TREBOR NAME PLATE



A

A

THIS DOCUMENT IS THE PROPERTY OF TREBOR  
MANUFACTURING. ANY UNAUTHORIZED REPRODUCTION  
WILL BE PROSECUTED TO THE FULL EXTENT OF THE LAW



PART NO. TRIDPL1860 REV. B

UNLESS OTHERWISE SPECIFIED,  
DIMENSIONS ARE IN INCHES

.XX = ±.1-  
.XXX = ±.015- ANGULAR = ±1°  
.XXXX = ±.005- FRACTIONAL = ±1/8

DRAWN BY	SHAWN CROCKER	08/03/2021
CHANGED BY	SHAWN CROCKER	12/07/2022

ONE DOOR RECESSED DOOR TOOL BOX - 24 X 18 X 60 - X2 T-HANDLES -  
X3 HINGES - OPEN DOWN

THIRD ANGLE PROJECTION



MATERIAL  
1/8 ALU MILL

SIZE A DWG NO. D9593 REV. B

SCALE 1:20	WEIGHT 86.89 LB	SHEET 1 of 1
------------	-----------------	--------------

2

1