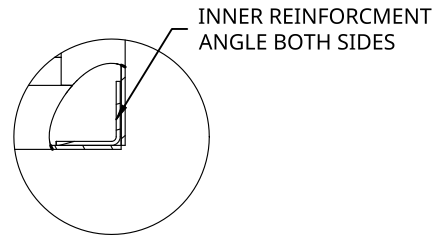
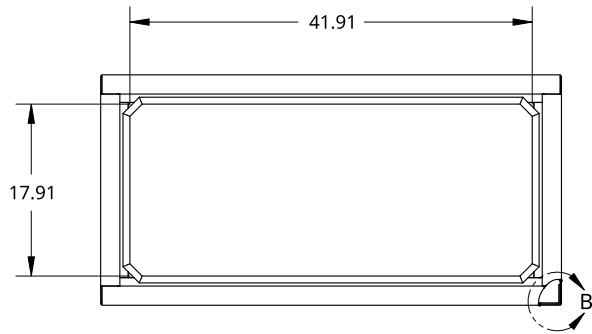
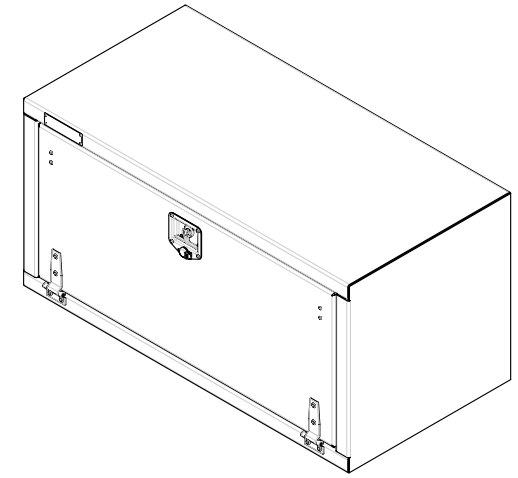


2

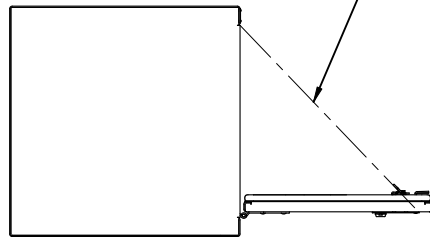
1



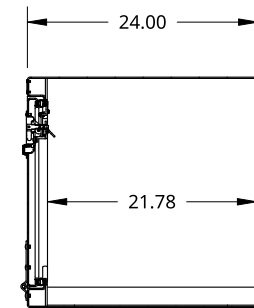
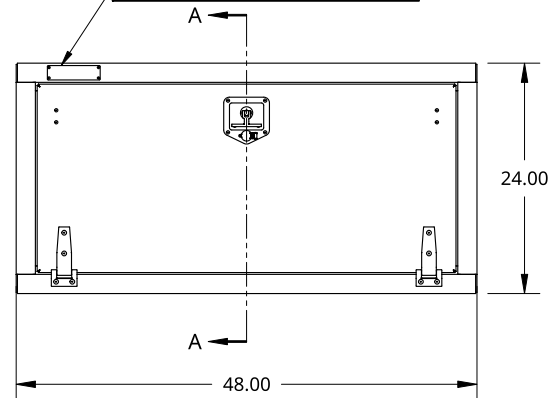
DETAIL B  
SCALE 1:6



X2 DOOR CHAIN TO HOLD  
DOOR AT 90 DEG.



SMALL SIZE TREBOR NAME PLATE



SECTION A - A

B

B

A

A

<small>THIS DOCUMENT IS THE PROPERTY OF TREBOR MANUFACTURING. ANY UNAUTHORIZED REPRODUCTION WILL BE PROSECUTED TO THE FULL EXTENT OF THE LAW</small>				PART NO. <b>TRIDPL2448</b>	REV. <b>B</b>
<small>UNLESS OTHERWISE SPECIFIED, DIMENSIONS ARE IN INCHES .XX = ±.1- .XXX = ±.015- .XXXX = ±.005-</small>		<small>ANGULAR = ±1° FRACTIONAL = ±1/8</small>	DRAWN BY SHAWN CROCKER 08/02/2021 CHANGED BY SHAWN CROCKER 12/07/2022	ONE DOOR RECESSED DOOR TOOL BOX - 24 X 24 X 48 - X1 T-HANDLE - OPEN DOWN	
THIRD ANGLE PROJECTION 		MATERIAL <b>1/8 ALU MILL</b>		SIZE <b>A</b>	DWG NO. <b>D9597</b>
		SCALE <b>1:20</b>	WEIGHT <b>82.53 LB</b>	SHEET <b>1 of 1</b>	REV. <b>B</b>

2

1