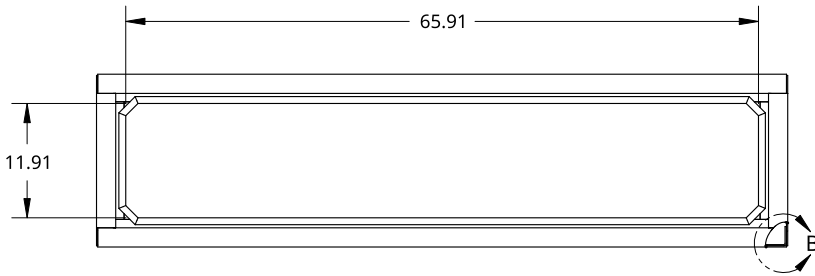


2

1

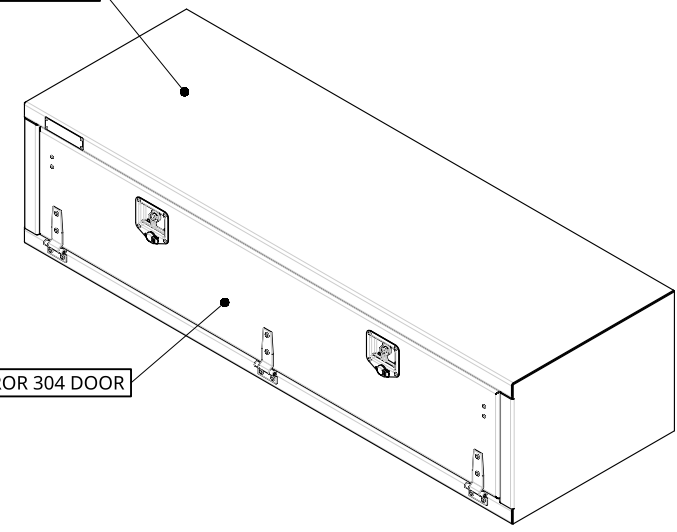


INNER REINFORCEMENT
ANGLE BOTH SIDES

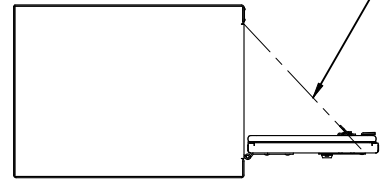
DETAIL B
SCALE 1:6

2 1/8 ALU MILL BODY

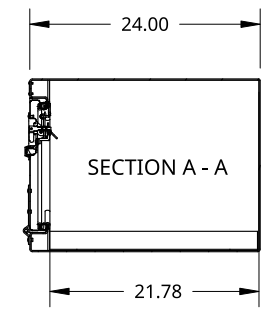
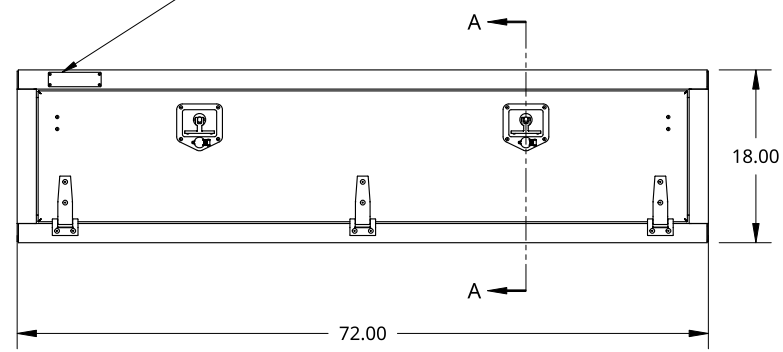
1 18G SS MIRROR 304 DOOR



X2 DOOR CHAIN TO HOLD
DOOR AT 90 DEG.

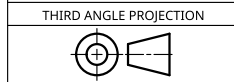


SMALL SIZE TREBOR NAME PLATE



THIS DOCUMENT IS THE PROPERTY OF TREBOR
MANUFACTURING. ANY UNAUTHORIZED REPRODUCTION
WILL BE PROSECUTED TO THE FULL EXTENT OF THE LAW

UNLESS OTHERWISE SPECIFIED,
DIMENSIONS ARE IN INCHES
.XX = ±.1-
.XXX = ±.015- ANGULAR = ±1°
.XXXX = ±.005- FRACTIONAL = ±1/8



DRAWN BY	RAUL MANRIQUE	10/31/2022
CHANGED BY	RAUL MANRIQUE	12/16/2022

MATERIAL
1/8 ALU MILL BODY, 18G S/S
MIRROR DOOR

PART NO. TRIDPLSS1872 REV. B

ONE DOOR RECESSED DOOR TOOL BOX - 24 X 18 X 72 - 18G SS MIRROR
DOOR - X2 T-HANDLES - X3 HINGES - OPEN DOWN

SIZE A DWG NO. D9604 REV. B

SCALE 1:20	WEIGHT 98.22 LB	SHEET 1 of 1
------------	-----------------	--------------

2

1

B

B

A

A