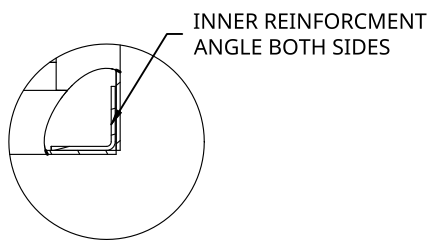
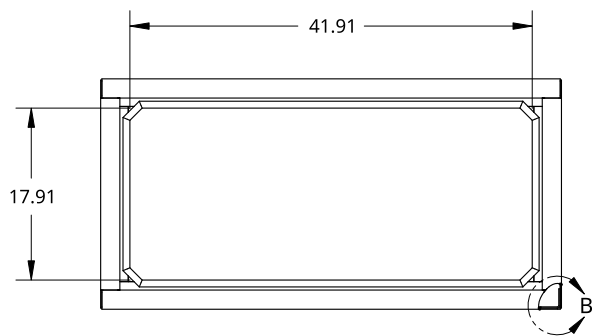


2

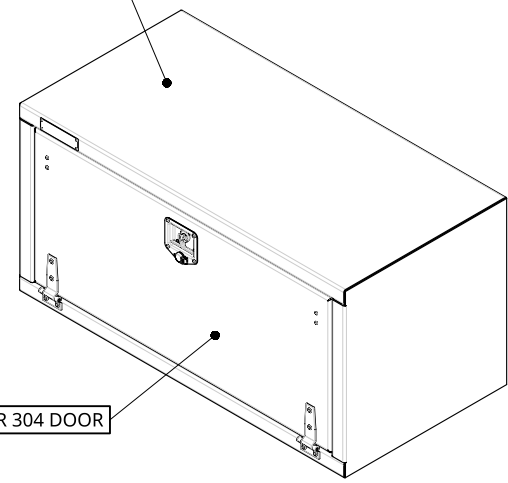
1



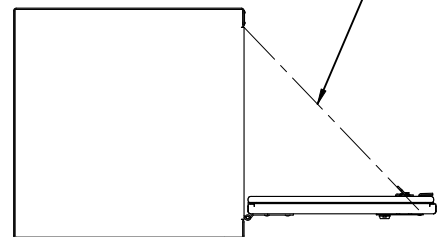
DETAIL B  
SCALE 1:6

2 1/8 ALU MILL BODY

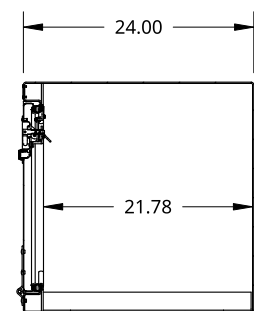
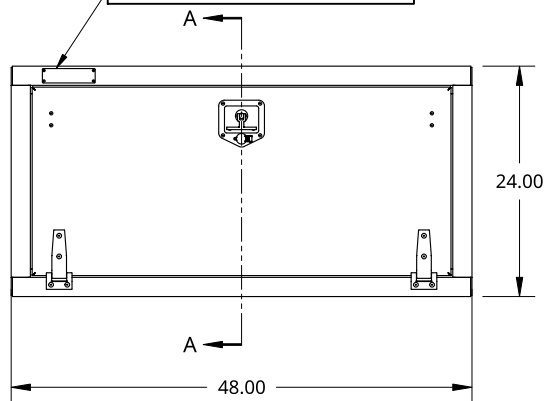
1 18G SS MIRROR 304 DOOR



X2 DOOR CHAIN TO HOLD  
DOOR AT 90 DEG.



SMALL SIZE TREBOR NAME PLATE



SECTION A - A

B

B

A

A

<small>THIS DOCUMENT IS THE PROPERTY OF TREBOR MANUFACTURING. ANY UNAUTHORIZED REPRODUCTION WILL BE PROSECUTED TO THE FULL EXTENT OF THE LAW</small>				PART NO. <b>TRIDPLSS2448</b>	REV. <b>B</b>
<small>UNLESS OTHERWISE SPECIFIED, DIMENSIONS ARE IN INCHES</small> <small>.XX = ±.1-      ANGULAR = ±1°</small> <small>.XXX = ±.015-    FRACTIONAL = ±1/8</small> <small>.XXXX = ±.005-</small>		<small>DRAWN BY</small> SHAWN CROCKER    08/02/2021	<small>CHANGED BY</small> RAUL MANRIQUE    12/16/2022	<small>ONE DOOR RECESSED DOOR TOOL BOX - 24 X 24 X 48 - 18G SS MIRROR DOOR - X1 T-HANDLE - OPEN DOWN</small>	
<small>THIRD ANGLE PROJECTION</small> 		<small>MATERIAL</small> <b>1/8 ALU MILL BODY, 18G S/S MIRROR DOOR</b>		<small>SIZE</small> <b>A</b>	<small>DWG NO.</small> <b>D9607</b>
		<small>SCALE</small> <b>1:20</b>	<small>WEIGHT</small> <b>82.01 LB</b>	<small>SHEET</small> <b>1 of 1</b>	<small>REV.</small> <b>B</b>

2

1