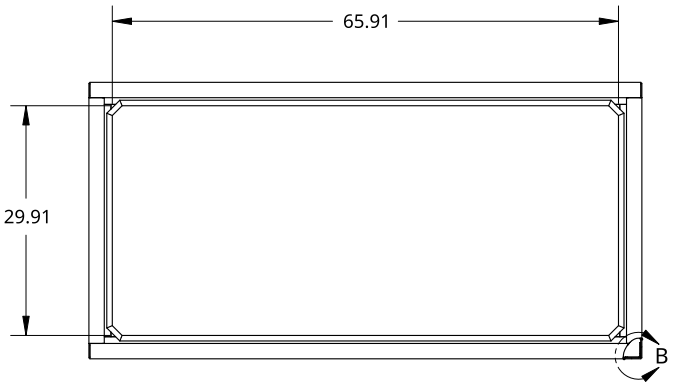


2

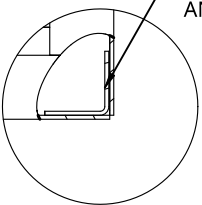
1

B

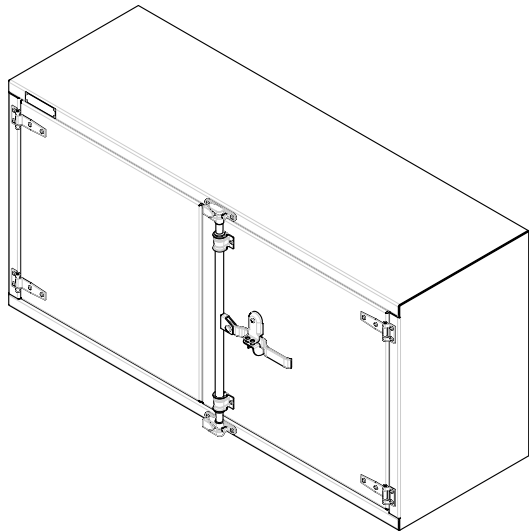
B



INNER REINFORCEMENT
ANGLE BOTH SIDES

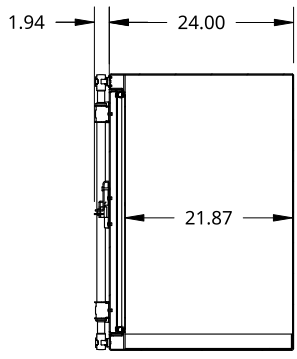
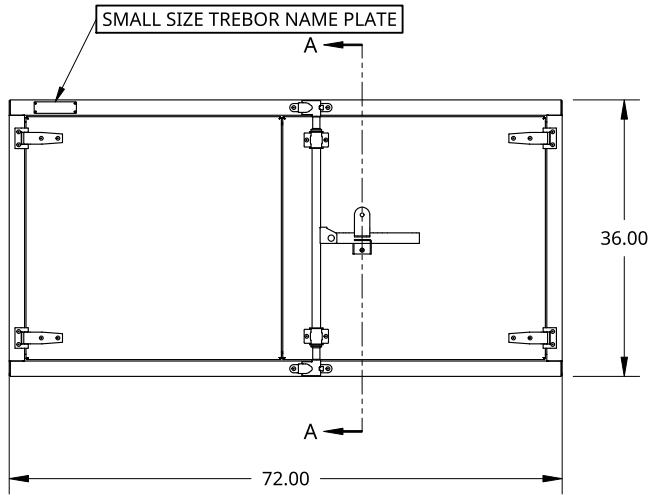


DETAIL B
SCALE 1:6



A

A

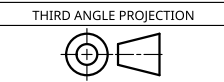


SECTION A - A

THIS DOCUMENT IS THE PROPERTY OF TREBOR MANUFACTURING. ANY UNAUTHORIZED REPRODUCTION WILL BE PROSECUTED TO THE FULL EXTENT OF THE LAW



UNLESS OTHERWISE SPECIFIED, DIMENSIONS ARE IN INCHES
.XX = ±.1-
.XXX = ±.015-
.XXXX = ±.005-
ANGULAR = ±1°
FRACTIONAL = ±1/8



DRAWN BY	SHAWN CROCKER	10/13/2021
CHANGED BY	RAUL MANRIQUE	08/02/2022

MATERIAL
1/8 ALU MILL

PART NO. TRPL3672P

TWO DOOR RECESSED DOOR TOOL BOX - 24 X 36 X 72 - COMPRESSION LOCK - OPEN RIGHT

SIZE A DWG NO. D6008

SCALE 1:25 WEIGHT 157.62 LB SHEET 1 of 1

REV. B

REV. B

2

1