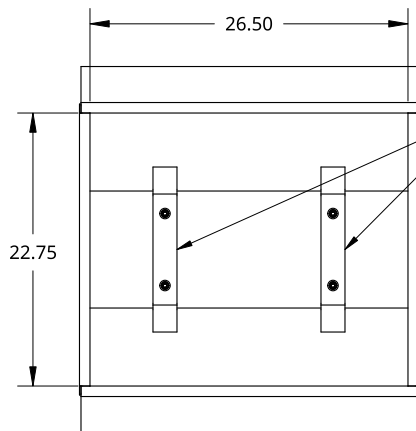


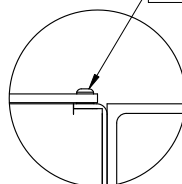
2

1

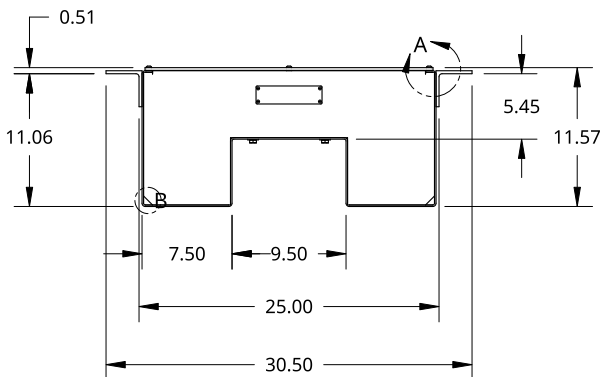
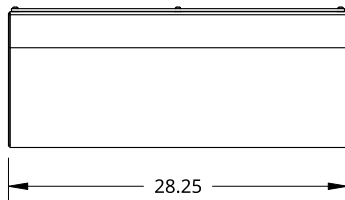
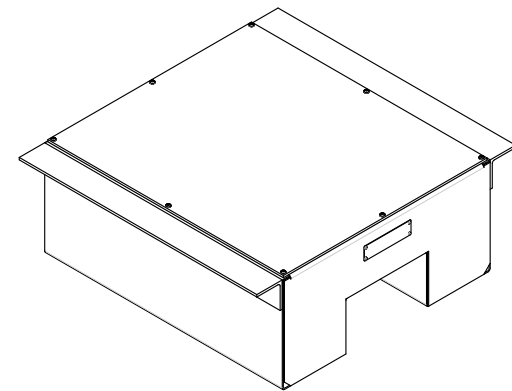


BATTERY HOLD DOWN

BOLT - HEX SOCKET BUTTON HEAD - 1/4-20 X 0.75



DETAIL A
SCALE 1:5



45.0° X 0.75

DRAIN HOLE

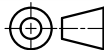
DETAIL B
SCALE 1:5

THIS DOCUMENT IS THE PROPERTY OF TREBOR MANUFACTURING. ANY UNAUTHORIZED REPRODUCTION WILL BE PROSECUTED TO THE FULL EXTENT OF THE LAW

UNLESS OTHERWISE SPECIFIED, DIMENSIONS ARE IN INCHES

.XX = ±.1-
.XXX = ±.015-
.XXXX = ±.005-
ANGULAR = ±1°
FRACTIONAL = ±1/8

THIRD ANGLE PROJECTION



DRAWN SHAWN CROCKER 08/28/2021

MATERIAL

1/8 ALU MILL

PART NO. TRPLBAT281225E REV. A1

BETWEEN FRAME BATTERY BOX - SCREW DOWN 3/16 ALU CHECKER LID

SIZE A DWG NO. D10690 REV. A

SCALE 1:16 WEIGHT 48.74 LB SHEET 1 of 1

2

1

B

B

A

A